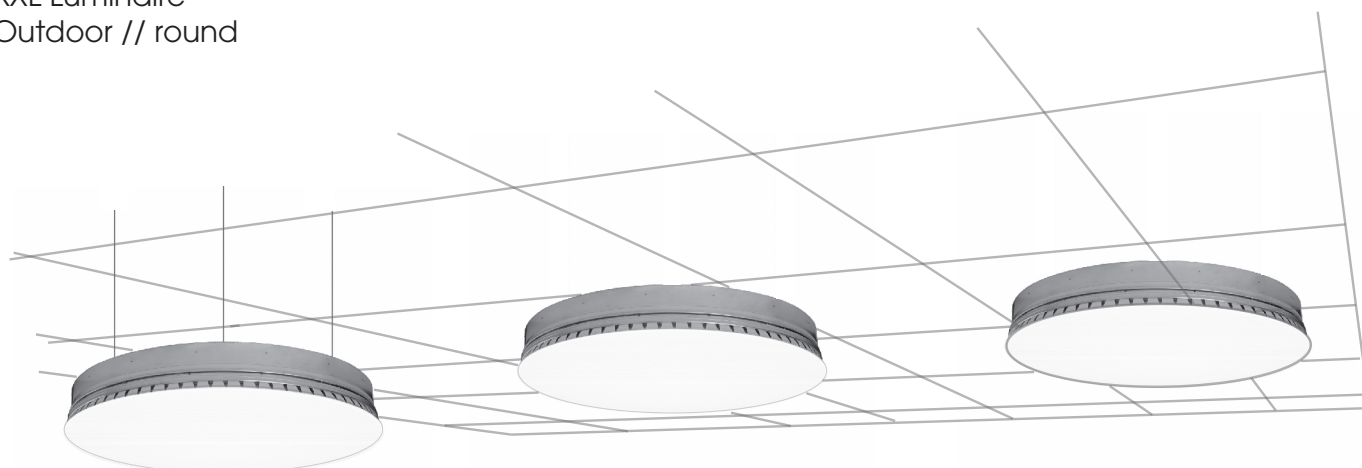


BIG.008

XXL Luminaire
Outdoor // round



PENDULAR LUMINAIRE (PL)

SURFACE-MOUNTED LUMINAIRE (AB)

BUILT-IN LUMINAIRE (EB)

PRODUCT DESCRIPTION

Aluminum-frame in reduced technical optics or with trim ring, powder coated to RAL for receiving a clamping membrane. Service maintenance from rear side. Supplied ready for connection to a diameter of two meters. Larger luminaires are supplied in several sections for an on-site finishing process. Gear plate is accommodated with bored holes for ceiling mounting.

CLAMPING-MEMBRANE

Fire safe class DIN EN 13501-1 / B-s1-d0, either white / unprinted or following the sample of digital print. One-piece format up to 4 meters / seamless. Larger formats welded in multiple parts.

TECHNICAL DATA

Material:	Aluminum	Diameter:	1000 - 4000 mm
Color:	Natural aluminum or powder coated	Height:	300 mm
Usage:	Outdoor	Voltage:	220-240 V
Aiming:	Fixed	Illumination:	T5 luminaires with EB's or LED, dimmable

DIAMETER SPECIFIC DATA

Diameter	Rated power				Weight	Pendular Luminaire	Surface-mounted Luminaire	Built-in Luminaire
	Fluorescent lamp	Total luminous flux white (typ.)	LED	Total luminous flux white (typ.)		Wire suspensions	Fixing points	Mounting brackets
R 1000	130 W	2.050 lm	90 W	2.150 lm	38 kg	3 pcs.	3 pcs.	3 pcs.
R 1500	350 W	4.760 lm	180 W	4.900 lm	41 kg	4 pcs.	4 pcs.	4 pcs.
R 2000	525 W	13.300 lm	280 W	13.500 lm	60 kg	6 pcs.	6 pcs.	6 pcs.
R 2500	820 W	21.400 lm	430 W	21.200 lm	80 kg	8 pcs.	8 pcs.	8 pcs.
R 3000	1090 W	28.840 lm	620 W	27.980 lm	103 kg	8 pcs.	8 pcs.	8 pcs.

IP64